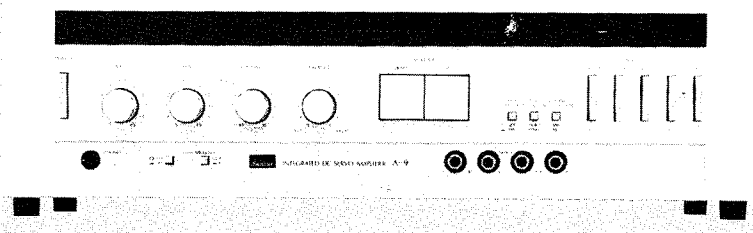




For more Hi-Fi manuals and set-up information
please visit www.hifiengine.com

SERVICE MANUAL

MASTER INTERATED AMPLIFIER **SANSUI A-9/A-7/A-5**



• SPECIFICATIONS

<A-9>

- Power output**
Min. RMS, both channels driven, from 20 to 20,000 Hz,
with no more than 0.05 % total harmonic distortion
65 watts per channel into 8 ohms
- Load impedance** 8 ohms
- Total harmonic distortion**
..... less than 0.05 % at or below rated
min. RMS power output
- Frequency response (at 1 watt)**
..... 5 to 70,000 Hz
+0.5 dB, -2 dB
- RIAA curve deviation (PHONO, 20 Hz to 20 kHz)**
..... +0.5 dB, -0.5 dB
- Input sensitivity and impedance (1 kHz, for rated power
output)**
PHONO-MM 2.5 mV/47 kilohms
(Max. input capability; 200 mV at 1 kHz, less than
0.1 % total harmonic distortion)
- PHONO-MC 0.1 mV/10 ohms
- AUX, TUNER, TAPE PLAY
..... 150 mV/47 kilohms
- Output level (1 kHz)**
TAPE REC 130 mV into 47 kilohms
- Hum and noise (short-circuit, A-network)**
PHONO-MM 80 dB
PHONO-MC 60 dB
AUX, TUNER, TAPE PLAY
..... 95 dB
- Power requirements**
Power voltage 120/220/240 V
(50/60 Hz)
For USA and Canada
..... 120 V (60 Hz)
- Power consumption** 240 watts Rated
355 watts Maximum
- UL, CSA Model 240 watts 295 VA Rated
- Dimensions** 430 mm (16-15/16") W
132 mm (5-1/4") H
241 mm (9-1/2") D
- Weight** 7.1 kg (15.7 lbs) net
8.0 kg (17.6 lbs) packed

<A-7>

- Power output**
Min. RMS, both channels driven, from 20 to 20,000 Hz,
with no more than 0.05 % total harmonic distortion
45 watts per channel into 8 ohms
- Load impedance** 8 ohms
- Total harmonic distortion**
..... less than 0.05 % at or below rated
min. RMS power output
- Frequency response (at 1 watt)**
..... 5 to 60,000 Hz
+0.5 dB, -2 dB
- RIAA curve deviation (PHONO, 20 Hz to 15 kHz)**
..... +0.5 dB, -0.5 dB
- Input sensitivity and impedance (1 kHz, for rated power
output)**
PHONO 2.5 mV/47 kilohms
(Max. input capability; 180 mV at 1 kHz, less than
0.1 % total harmonic distortion)
- AUX, TUNER, TAPE PLAY
..... 150 mV/47 kilohms
- MIC 2 mV/10 kilohms
- Output level (1 kHz)**
TAPE REC 130 mV into 47 kilohms
- Hum and noise (short-circuit, A-network)**
PHONO 80 dB
AUX, TUNER, TAPE PLAY
..... 95 dB

to be continued ▶



<A-7>

Power requirements
 Power voltage 120/220/240 V
 (50/60 Hz)
 For USA and Canada
 120 V (60 Hz)
 Power consumption 180 watts 230 VA Rated
 265 watts Maximum
Dimensions 430 mm (16-15/16") W
 132 mm (5-1/4") H
 247 mm (9-3/4") D
Weight 5.8 kg (12.8 lbs) net
 6.7 kg (14.8 lbs) packed

<A-5>

Power output
 Min. RMS, both channels driven, from 40 to 20,000 Hz,
 with no more than 0.08 % total harmonic distortion
 25 watts per channel into 8 ohms
Load impedance 8 ohms
Total harmonic distortion
 less than 0.08 % at or below rated
 min. RMS power output
Frequency response (at 1 watt)
 10 to 50,000 Hz
 +0.5 dB, -2 dB
RIAA curve deviation (PHONO, 30 Hz to 15 kHz)
 +0.5 dB, -0.5 dB

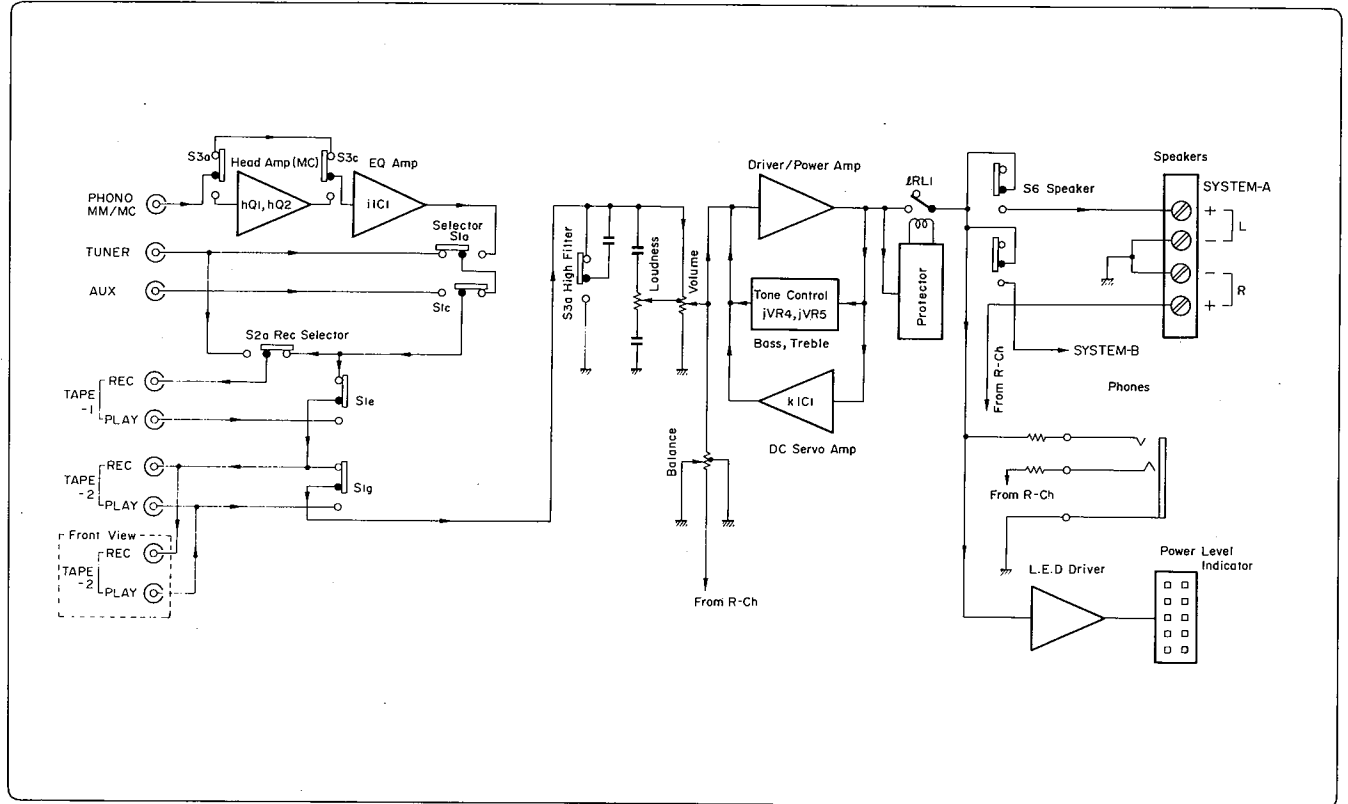
Input sensitivity and impedance (1 kHz, for rated power output)
 PHONO 2.5 mV/47 kilohms
 (Max. input capability; 150 mV at 1 kHz, less than
 0.1 % total harmonic distortion)
 TAPE/AUX, TUNER, TAPE PLAY
 150 mV/47 kilohms
Output level and impedance (1 kHz)
 TAPE REC 130 mV into 47 kilohms
Hum and noise (short-circuit, A-network)
 PHONO 75 dB
 TAPE/AUX, TUNER, TAPE PLAY
 90 dB

Power requirements
 Power voltage 120/220/240 V
 (50/60 Hz)
 For USA and Canada
 120 V (60 Hz)
 Power consumption 110 watts 170 VA Rated
 160 watts Maximum
Dimensions 430 mm (16-15/16") W
 132 mm (5-1/4") H
 247 mm (9-3/4") D
Weight 4.5 kg (9.9 lbs) net
 5.4 kg (119.9 lbs) packed

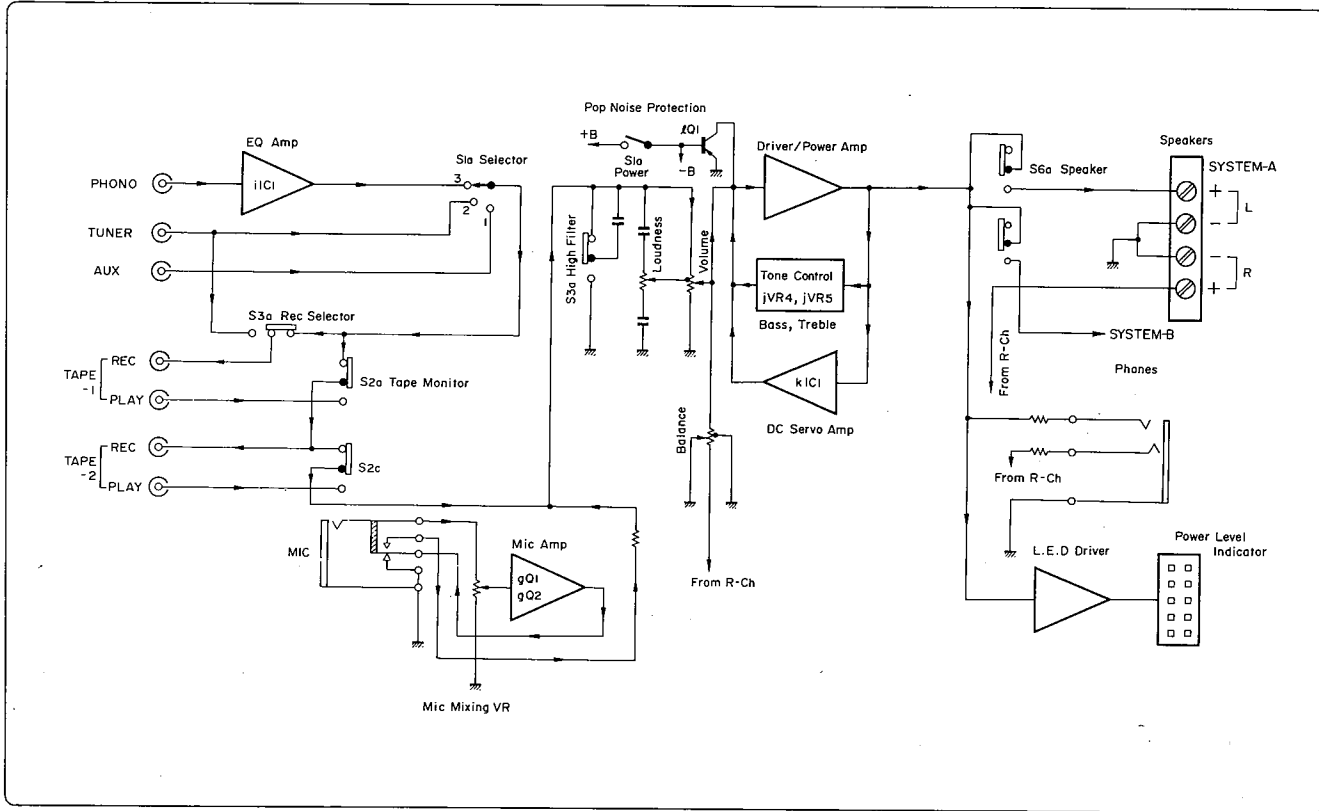
* Design and specifications subject to changes without notice for improvements.

1. BLOCK DIAGRAM

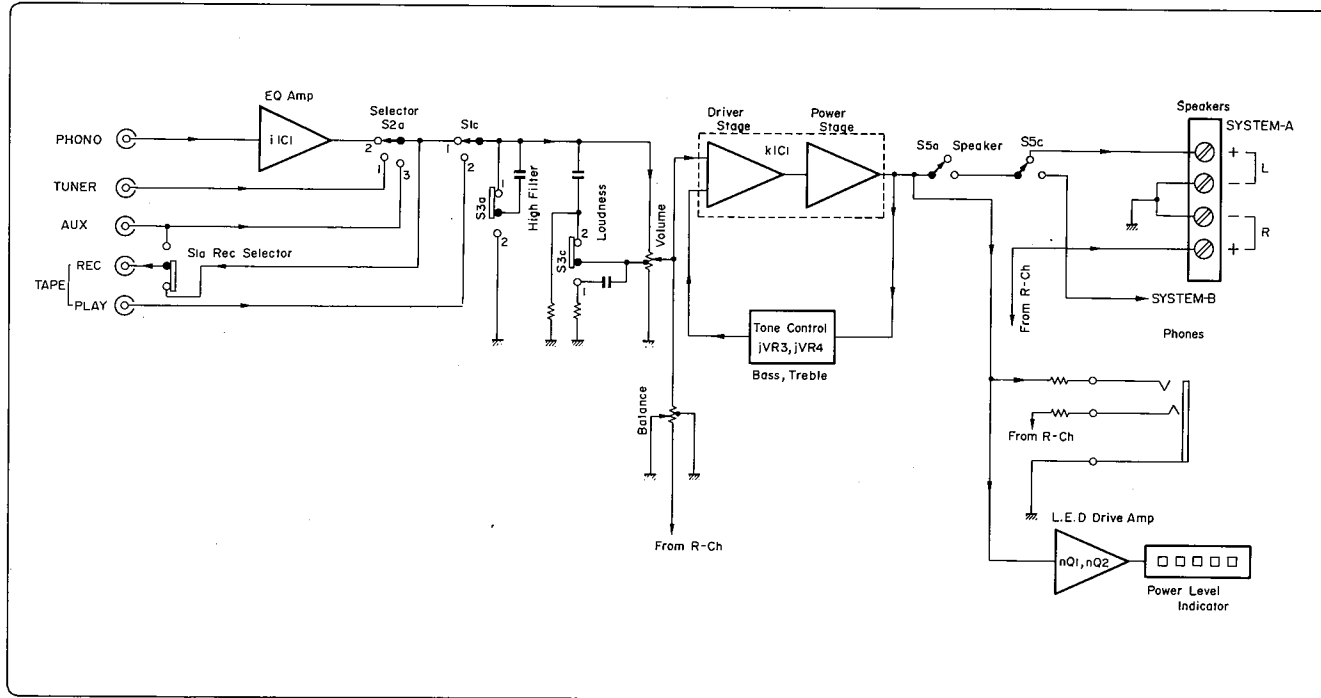
1-1. A-9



1-2. A-7



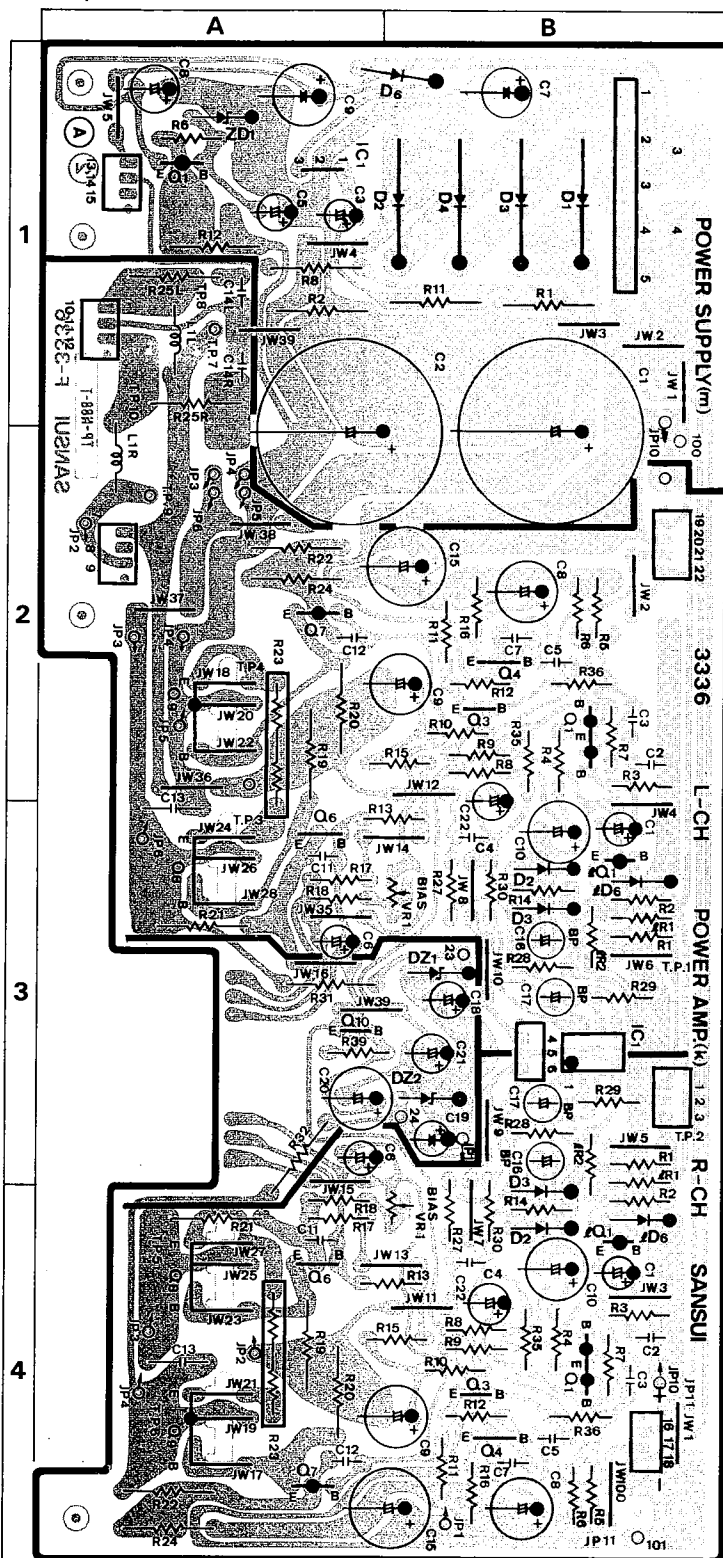
1-3. A-5



2. PARTS LOCATION & PARTS LIST

2-1. F-3336 Power Amp. Circuit Board (Stock No. 07091601 = A-9/00615501 = A-7)

Component Side



• Since some of capacitors and resistors are omitted from parts lists in this Service Manual, refer to the Common Parts List for capacitors & resistors which was appended previously to each Sansui Manual.

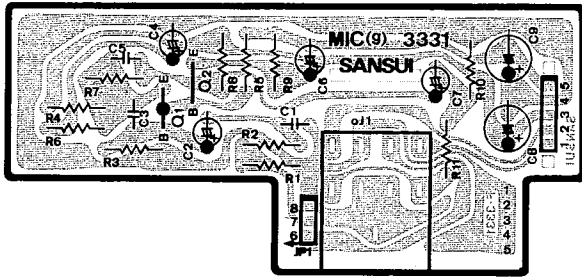
Parts List

Parts No.	Stock No.	Description
• Transistor		
kQ1	03602900, 1	2SA798 F, G
kQ3	03067400, 1	2SC1845 F, E
kQ4	03064001, 2	2SC1904 B, V
kQ10	03067400, 1	2SC1845 F, E
• IC		
kIC1	03607700	NJM4558D
• Diode		
kD2	03117600	1S2473D
kD3	03117600	1S2473D
• Zener Diode		
kDZ1	03179200	RD15E-B
kDZ2	03179200	RD15E-B
kR23	00091700	0.33Ω x 2 5W C.R.
kR25	00179000	10Ω 1W N.I.R.
kC13	08680400	10000pF 500V C.C.
kC16	08451500	10μF 25V E.B.
kC17	08450900	4.7μF 16V E.B.
kL1	42102900	Inductor 1.5μH
kVR1	07261500	Semi Variable Resistor 500Ω (B), bias adj.
• Transistor		
mQ1	03033101, 2	2SB528 D, E
• IC		
mic1	07208200	μPC78M24H
• Diode		
mD1	03115300	30D-2
mD2	03115300	30D-2
mD3	03115300	30D-2
mD4	03115300	30D-2
mD6	03117700	10E-2
• Zener Diode		
mDZ1	03165100	RD24E-B
mR1	00183900	5.6kΩ 1W N.I.R.
mR2	00183900	5.6kΩ 1W N.I.R.
mR11	00183200	470Ω 1W N.I.R.
<A-9 Only>		
• Transistor		
kQ6	07206400, 1	2SD600K E, F
kQ7	07206300, 1	2SB631K E, F
kR31	00182800	3.9kΩ 1W N.I.R.
kR32	00182800	3.9kΩ 1W N.I.R.
mC1	08300300	6800μF 55V E.C.
mC2	08300300	6800μF 55V E.C.
<A-7 Only>		
• Transistor		
kQ6	07263500, 1	2SD600 E, F
kQ7	07263400, 1	2SB631 E, F
• Transistor		
IQ1	03010900, 1	2SA992 F, E
• Diode		
ID6	03117600	1S2473D
mC1	00316000	4700μF 50V E.C.
mC2	00316000	4700μF 50V E.C.

2-2. F-3331 Mic Amp. Circuit Board

(Stock No. 07088501 = A-7)

Component Side



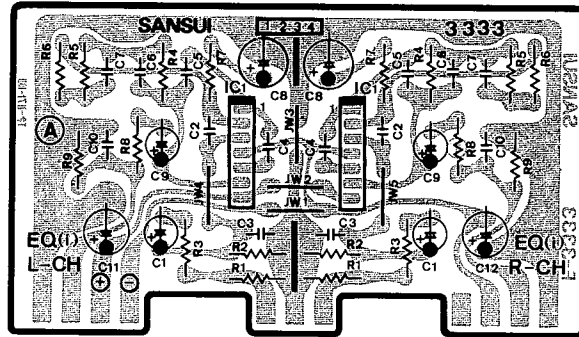
Parts List

Parts No.	Stock No.	Description
●Transistor		
gQ1	03010900, 1	2SA992 F, E
gQ2	07225400, 1	2SC2320L F, G
oJ1	46078200	MIC Jack

2-3. F-3333 EQ Amp. Circuit Board

(Stock No. 07088701 = A-9/A-7)

Component Side

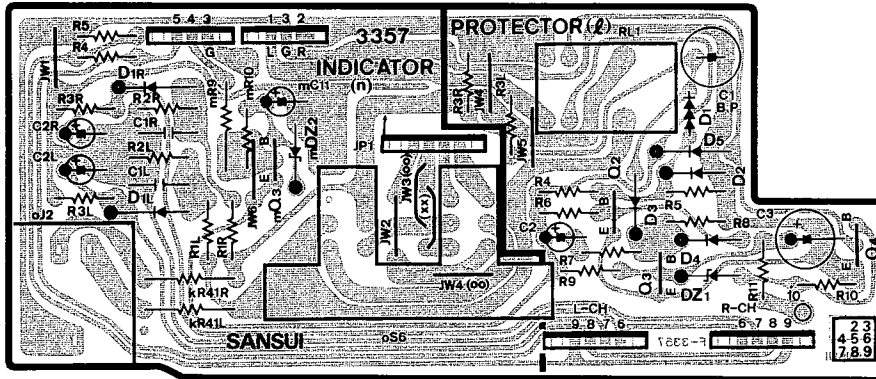


Parts List

Parts No.	Stock No.	Description
●IC		
iC1	07197400	M5214L
iC2	08441400	10μF 25 V E.C.

2-4. F-3357 Protector Circuit Board (Stock No. 07092601 = A-9/00615901 = A-7)

Component Side

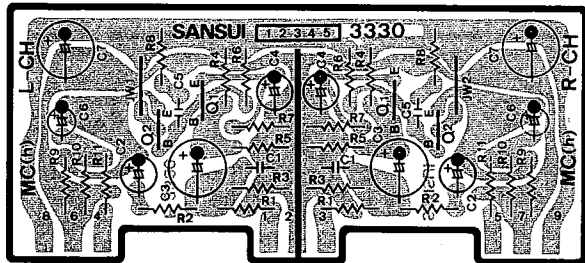


Parts List

Parts No.	Stock No.	Description	Parts No.	Stock No.	Description
●Diode			ID4	07176400	1S2473HS
nD1	07225500	1N60		03111800	1S1588
oS6	07252400	Push Switch, speaker	ID5	03117700	10E-2
oJ2	46078100	Head Phone Jack	●Zener Diode		
<A-9 Only>			IDZ1	03163900	RD6.2E-B
●Transistor			IC1	08460100	100μF 6.3V E.B.
IQ2	07194800, 1	2SC1815 Y, GR	IRL1	07192300	Relay
IQ3	07194800, 1	2SC1815 Y, GR	●Transistor		
IQ4	07194800, 1	2SC1815 Y, GR	mQ3	03067400, 1	2SC1845 F, E
●Diode			●Zener Diode		
ID1	03401700	Varistor MV-103	mDZ2	03165100	RD24E-B
ID2	07176400	1S2473HS			
	03111800	1S1588			
ID3	07176400	1S2473HS			
	03111800	1S1588			

2-5. F-3330 MC Amp. Circuit Board (Stock No. 07082501 = A-9)

Component Side

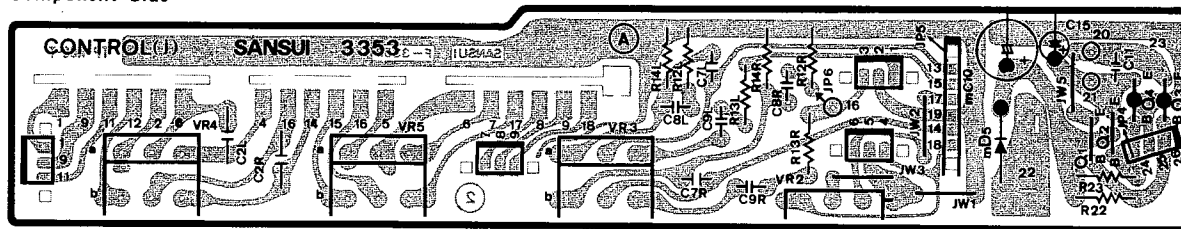


Parts List

Parts No.	Stock No.	Description
● Transistor		
hQ1	03068500, 1	2SC1844 F, E
hQ2	07225400, 1	2SC2320L F, G
hc3	00324000	100 μ F 25 V E.C.

2-6. A-3353 Control Volume Circuit Board (Stock No. 07092201 = A-9)

Component Side

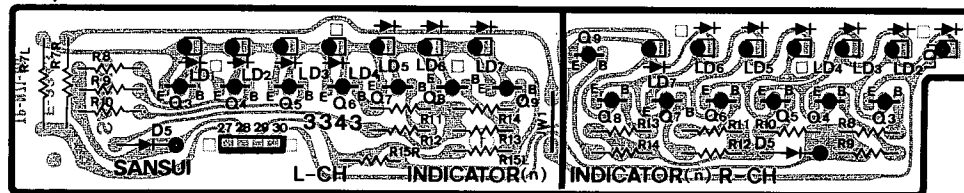


Parts List

Parts No.	Stock No.	Description	Parts No.	Stock No.	Description
● Transistor					
jQ1	07206900, 1	2SC2001 M, L	jVR4	07253400 (46097300)	Variable Resistor 50 k Ω x 2, bass Type-I (II)
jQ2	07206900, 1	2SC2001 M, L	jVR5	07253400 (46097300)	Variable Resistor 50 k Ω x 2, treble Type I (II)
jQ3	07206800, 1	2SA952 M, L	● Diode		
jQ4	07206800, 1	2SA952 M, L	mD5	03117700	10E-2
jVR2	10054701 (46121700)	Variable Resistor 250 k Ω (B), balance Type I (II)			
jVR3	10156301 (46121800)	Variable Resistor 20 k Ω (B) x 2, loudness Type I (II)			

2-7. F-3343 Power Ind. Circuit Board (Stock No. 00617501 = A-5)

Component Side

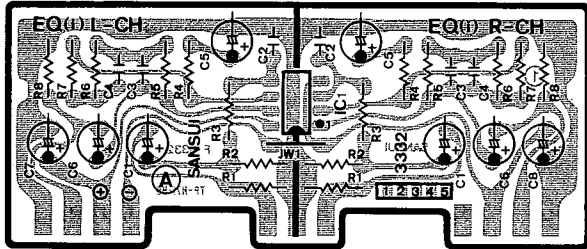


Parts List

Parts No.	Stock No.	Description	Parts No.	Stock No.	Description
● Transistor					
nQ3	03012500, 1	2SA786 Q, R	nLD1	03193700	Light Emitting Diode SEL1110S
nQ4	03012500, 1	2SA786 Q, R	nLD2	03193700	Light Emitting Diode SEL1110S
nQ5	03012500, 1	2SA786 Q, R	nLD3	03193700	Light Emitting Diode SEL1110S
nQ6	03012500, 1	2SA786 Q, R	nLD4	03193700	Light Emitting Diode SEL1110S
nQ7	03012500, 1	2SA786 Q, R	nLD5	03193700	Light Emitting Diode SEL1110S
nQ8	03012500, 1	2SA786 Q, R	nLD6	03193700	Light Emitting Diode SEL1110S
nQ9	03012500, 1	2SA786 Q, R	nLD7	03193700	Light Emitting Diode SEL1110S
● Diode					
nD5	07176400	1S2473HS	nR7	00183800	560 Ω 1W N.I.R.

2-8. F-3332 EQ Amp. Circuit Board (Stock No. 00616801 = A-5)

Component Side

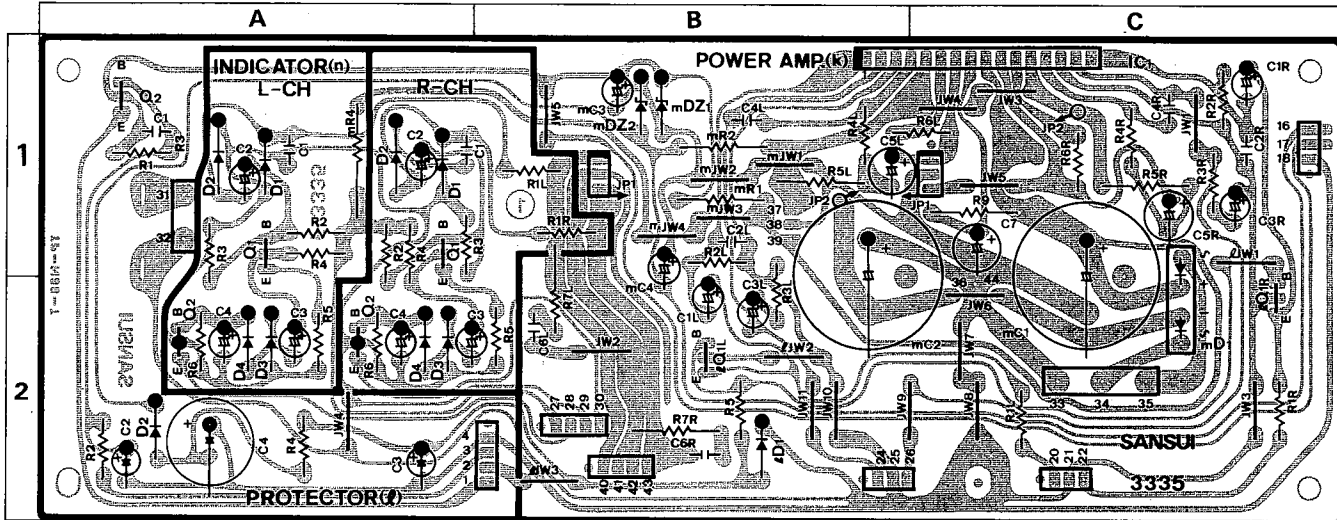


Parts List

Parts No.	Stock No.	Description
•IC		
iIC1	07208900	NJM4558D

2-9. F-3335 Main Amp. Circuit Board (Stock No. 00616901 = A-5)

Component Side



Parts List

Parts No.	Stock No.	Description
•IC		
kIC1	07254400	STK465A
kr6	07253600	0.33Ω 5W
•Diode		
mD1	03117000	RB-152
•Zener Diode		
mDZ1	03179800	RD20E-B
mDZ2	03179800	RD20E-B
mR4	00188400	270Ω 2W N.I.R.

Parts No.	Stock No.	Description
mC1	08301000	3300μF 42 V E.C.
mC2	08301000	3300μF 42 V E.C.
•Transistor		
nQ1	03068301, 2	2SC2320 E, F
nQ2	03012700, 1	2SA999 E, F
•Diode		
nD1	03117600	1S2473D
nD2	07225500	1N60
nD3	03117600	1S2473D
nD4	03117600	1S2473D

• Note: The circuit board, F-3334, F-3359, F-3337, F-3358, F-3339, F-3350, F-3351, F-3352, F-3354, F-3355, F-3356, F-3346, F-3347, F-3348, F-3349, F-3340, F-3341, F-3342, F-3344, F-3345 are not supplied as the assembled. However, the individual parts on the circuit board are provided by orders.

2-10. F-3334 Tone Control Circuit Board

(A-9/A-7/A-5)

Parts List

Parts No.	Stock No.	Description
jC5	07216800	68000 pF 25 V C.C.

2-11. F-3359 Mic Volume Control Circuit Board

(A-7)

Parts List

Parts No.	Stock No.	Description
gVR1	07253500	Variable Resistor 20 kΩ, mic level

2-12. F-3337 Bias Compensating Circuit Board

(A-9/A-7)

Parts List

Parts No.	Stock No.	Description
•Transistor kQ5	03068301, 2	2SC2320 E, F

2-13. F-3358 Speaker Terminal Circuit Board (A-9/A-7)

Parts List

Parts No.	Stock No.	Description
	07183300	8P Terminal Board, speaker

2-14. F-3339 Power SW. Circuit Board (A-9/A-7/A-5)

Parts List

Parts No.	Stock No.	Description
pS1	11319000	Push Switch, power
<A-9 Only> pC1	00386000	10000pF 150V C.C.
pF1	07189100 07188700	Fuse 5A 250V (100V ~ 120V) Fuse 2.5A 250V (220V ~ 240V)
<A-7 Only> pF1	07189000 07188600	Fuse 4A 250V (100V ~ 120V) Fuse 2A 250V (220V ~ 240V)
<A-5 Only> pF1	07188800 07188500	Fuse 3A 250V (100V ~ 120V) Fuse 1.5A 250V (220V ~ 240V)

2-15. F-3350 Input Circuit Board (A-9)

Parts List

Parts No.	Stock No.	Description
•Diode nD2	03401500	Varistor MV12
nD3	03401500	Varistor MV12
oS1	07252900	Push Switch, input selector
oS2	07258500	Push Switch, rec selector
oS3	07258600	Slide Switch, MC/MM selector
	07249100	Input Terminal Board 4P

2-16. F-3351 Input Source Ind. L.E.D. Circuit Board

(A-9)

Parts List

Parts No.	Stock No.	Description
	07581900	LED Holder
nLD1	07243200	Light Emitting Diode GL-5HD5
nLD2	07243200	Light Emitting Diode GL-5HD5
nLD3	07243200	Light Emitting Diode GL-5HD5
nLD4	07243200	Light Emitting Diode GL-5HD5
nLD5	07243200	Light Emitting Diode GL-5HD5

2-17. F-3352 Tape Terminal Circuit Board (A-9)

Parts List

Parts No.	Stock No.	Description
	07264500	Input Terminal 2P

2-18. F-3354 Phono Input Terminal Circuit Board

(A-9)

Parts List

Parts No.	Stock No.	Description
	07249000	Input Terminal 2P

2-19. F-3355 Motor Volume SW. Circuit Board (A-9)

Parts List

Parts No.	Stock No.	Description
oS4	11907000	Push Switch
oS5	11907000	Push Switch

2-20. F-3356 Volume Control Circuit Board (A-9)

Parts List

Parts No.	Stock No.	Description
jVR1	07242100	Variable Resistor 150 k Ω (B) x 2, volume

2-21. F-3346 Input Selector Circuit Board (A-7)

Parts List

Parts No.	Stock No.	Description
oS1	07253000	Push Switch, input selector
oS2	07252800	Push Switch, tape mon.
oS3	07252600	Push Switch, rec selector
	07249100	Input Terminal Board 4P, tuner, aux, tape 1
	07249000	Input Terminal Board 2P, phono

2-22. F-3347 Input Source Ind. L.E.D. Circuit Board

(A-7)

Parts List

Parts No.	Stock No.	Description
	07581900	LED Holder
nLD1	07243200	Light Emitting Diode GL-5HD5
nLD2	07243200	Light Emitting Diode GL-5HD5
nLD3	07243200	Light Emitting Diode GL-5HD5
nLD4	07243200	Light Emitting Diode GL-5HD5
nLD5	07243200	Light Emitting Diode GL-5HD5

2-23. F-3348 Tape Terminal Circuit Board (A-7)

Parts List

Parts No.	Stock No.	Description
	07264500	Input Terminal Board 2P, tape 2

2-24. F-3349 Volume Control Circuit Board (A-7)

Parts List

Parts No.	Stock No.	Description
jVR1	07257400	Variable Resistor 150kΩ x 2, volume
jVR2	10054701 (46121700)	Variable Resistor 250kΩ (B), balance Type I (II)
jVR3	10156301 (46121800)	Variable Resistor 20kΩ (B) x 2, loudness Type I (II)
jVR4	07253400 (46097300)	Variable Resistor 50kΩ x 2, bass Type I (II)
jVR5	07253400 (46097300)	Variable Resistor 50kΩ x 2, treble Type I (II)

2-25. F-3340 Input Terminal & SW. Circuit Board (A-5)

Parts List

Parts No.	Stock No.	Description
oS1	07252500	Push Switch, tape mon.
oS2	07253000	Switch, input selector
oS3	07252600	Push Switch, high-filter
	07249100	Input Terminal Board 4P, tape
	07249000	Input Terminal Board 2P, phono

2-26. F-3341 Input Source Ind. L.E.D. Circuit Board (A-5)

Parts List

Parts No.	Stock No.	Description
nLD8	07246200	Light Emitting Diode SEL1710K
nLD9	07246200	Light Emitting Diode SEL1710K
nLD10	07246200	Light Emitting Diode SEL1710K
nLD11	07246200	Light Emitting Diode SEL1710K

2-27. F-3342 Control Volume Circuit Board (A-5)

Parts List

Parts No.	Stock No.	Description
jVR1	07257400	Variable Resistor 150 kΩ x 2, volume
jVR2	10054701 (46121700)	Variable Resistor 250 kΩ (B), balance Type I (II)
jVR3	07253400 (46097300)	Variable Resistor 50 kΩ, bass Type I (II)
jVR4	07253400 (46097300)	Variable Resistor 50 kΩ, treble Type I (II)

2-28. F-3344 Headphone Jack & Speaker SW. Circuit Board (A-5)

Parts List

Parts No.	Stock No.	Description
oS5	07252400	Push Switch, speaker
oJ2	46078100	Head Phone Jack

2-29. F-3345 Speaker Terminal Circuit Board (A-5)

Parts List

Parts No.	Stock No.	Description
	07183300	8P Terminal Board, speaker

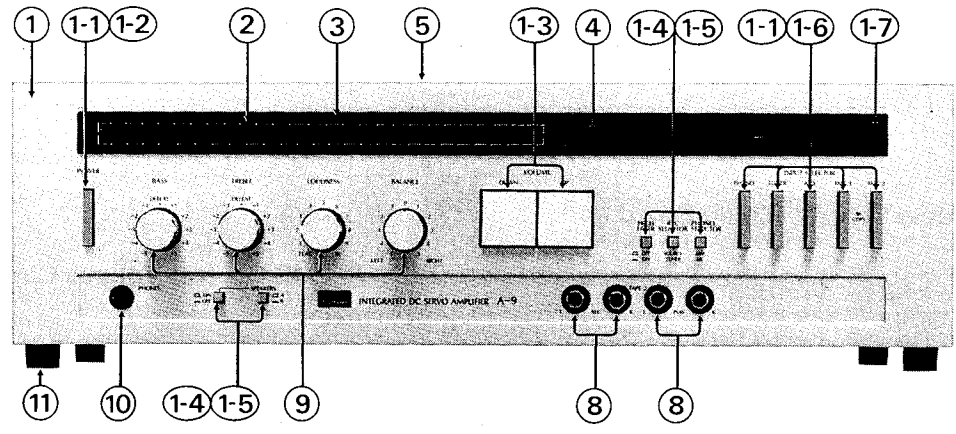
● Abbreviations

C.R.	Carbon Resistor	E.L.	Low Leak Electrolytic Capacitor
S.R.	Solid Resistor	E.B.	Bi-Polar Electrolytic Capacitor
Ce.R.	Cement Resistor	E.BL.	Low Leak Bi-Polar Electrolytic Capacitor
M.R.	Metal Film Resistor	Ta.C.	Tantalum Capacitor
F.R.	Fusing Resistor	F.C.	Film Capacitor
N.I.R.	Non-Inflammable Resistor	M.P.	Metalized Paper Capacitor
C.C.	Ceramic Capacitor	P.C.	Polystyrene Capacitor
C.T.	Ceramic Capacitor, Temperature Compensation	G.C.	Gimmic Capacitor
E.C.	Electrolytic Capacitor		

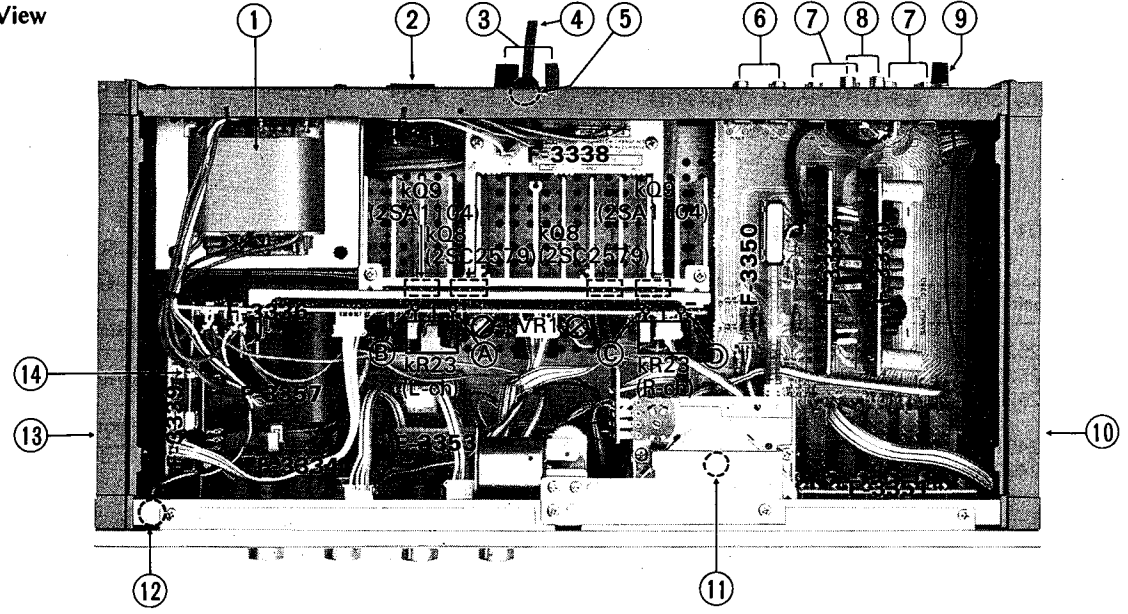
3. OTHER PARTS

3-1. A-9

A) Front View



B) Top View



Parts List <Front View>

Parts No.	Stock No.	Description
2	07253800	Light Emitting Diode (12-point)
3	07680100	Scale Plate
4	07600300	Indicator Film
5	07601300	Bonnet
8	07264500	2P Input Terminal, tape 2
10	46078100	Head Phone Jack
11	07601200	Leg
<Silver Model>		
1	07679120	Front Panel Ass'y <XX>
	07780900	Front Panel Ass'y
1-1	07580300	Push Knob, power
1-2	07628000	Push Knob Guide
1-3	07690400	Push Knob Ass'y, volume
1-4	07580100	Push Knob, speaker, high-filter
1-5	07580900	Push Knob Guide
1-6	07581300	Push Knob Guide
1-7	07738500	Smoked Plate <XX>
	07780700	Smoked Plate
9	07614200	Knob, bass, treble, loudness, balance (I)
	07777600	Knob, bass, treble, loudness, balance (II)
<Black Model>		
1	07679310	Front Panel Ass'y <XX>
	07781000	Front Panel Ass'y
1-1	07580500	Push Knob, power
1-2	07595700	Push Knob Guide
1-3	07663200	Push Knob Ass'y, volume
1-4	07580200	Push Knob, speaker, high-filter
1-5	07580800	Push Knob Guide
1-6	07581200	Push Knob Guide

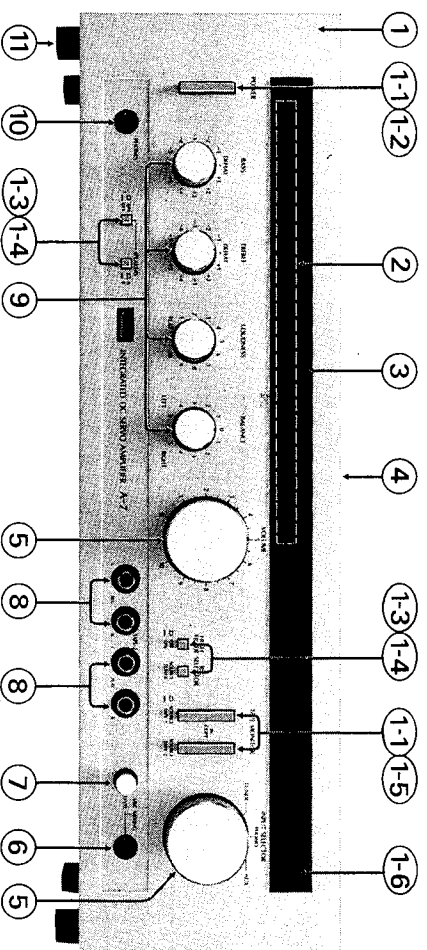
Parts No.	Stock No.	Description
1-7	07672200	Smoked Plate <XX>
	07780800	Smoked Plate
9	07614500	Knob, bass, treble, loudness, balance (I)
	07777800	Knob, bass, treble, loudness, balance (II)

Parts List <Top View>

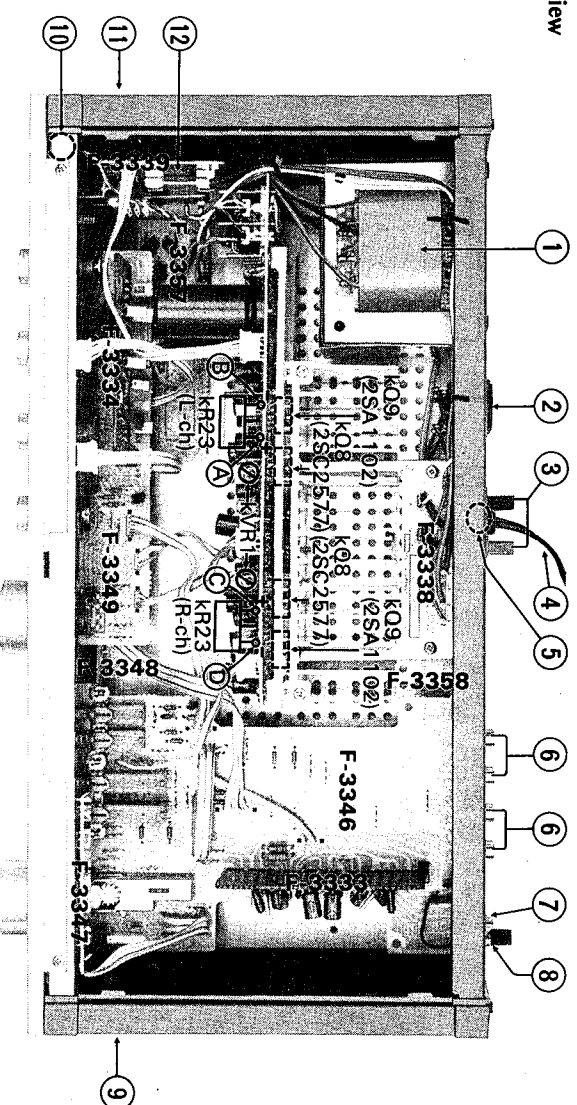
Parts No.	Stock No.	Description
1	15001701	Power Transformer
2	07189600	AC Outlet
3	07183300	Speaker Terminal
4	38004700	Power Supply Cord
5	39106000	Strain Relief
6	07249100	4P Input Terminal, tuner, tv/aux
7	07249100	4P Input Terminal, tape1, tape2
8	07249000	2P Input Terminal, phono
9	22301500	Ground Terminal
10	07602010	Side Panel (R)
11	04006600	Pilot Lamp 8V 150mA
12	07261100	Pilot Lamp 8V 150mA
13	07601910	Side Panel (L)
14	07189100	Fuse 250V 5A (100V ~ 120V)
	07188700	Fuse 250V 2.5A (220V ~ 240V)
•Power Transistor		
kO8	07259100, 1	2SC2579LB O, Y
kO9	07258900, 1	2SA1104LB O, Y

3-2. A-7

A) Front View



B) Top View



Parts List <Front View>

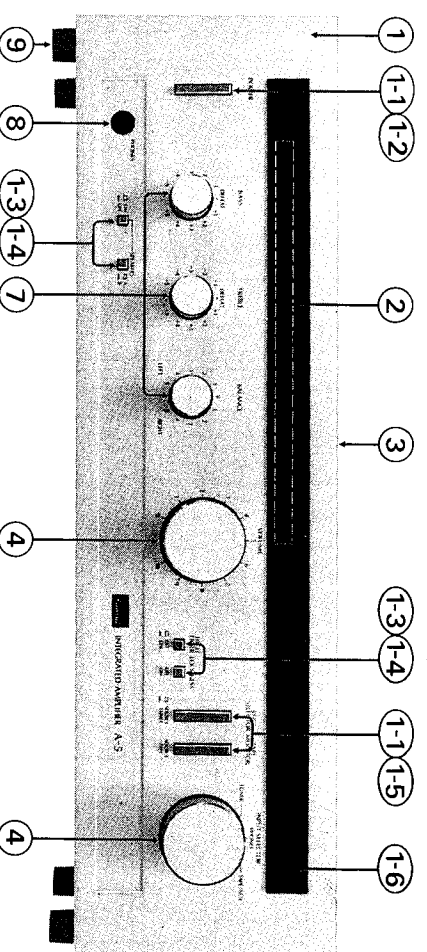
Parts No.	Stock No.	Description
2	07253800	Light Emitting Diode (12-point)
3	07690300	Scale Plate
4	07601300	Bonnet
6	46078200	MIC Jack
8	07264500	Input Terminal Board 2P, tape 2
10	46078100	Head Phone Jack
11	07601200	Leg
<Silver Model>		
1	07679420	Front Panel Assy <XX>
1-1	07781100	Front Panel Assy
1-2	07580300	Push Knob, power, tape mon.
1-3	07580100	Push Knob speaker, high-filter, rec
1-4	07580900	Push Knob Guide
1-5	07581300	Push Knob Guide
1-6	07738500	Smoked Plate <XX>
5	07614100	Knob, volume, input-selector
7	07614300	Knob, mic level
9	07614200	Knob, bass, treble, loudness, balance (I)
	07777600	Knob, bass, treble, loudness, balance (II)
<Black Model>		
1	07679610	Front Panel Assy <XX>
1-1	07781200	Front Panel Assy
1-2	07580500	Push Knob, power, tape mon.
1-3	07580200	Push Knob, speaker, high-filter, rec.
1-4	07580800	Push Knob Guide
1-5	07581200	Push Knob Guide

Parts List <Top View>

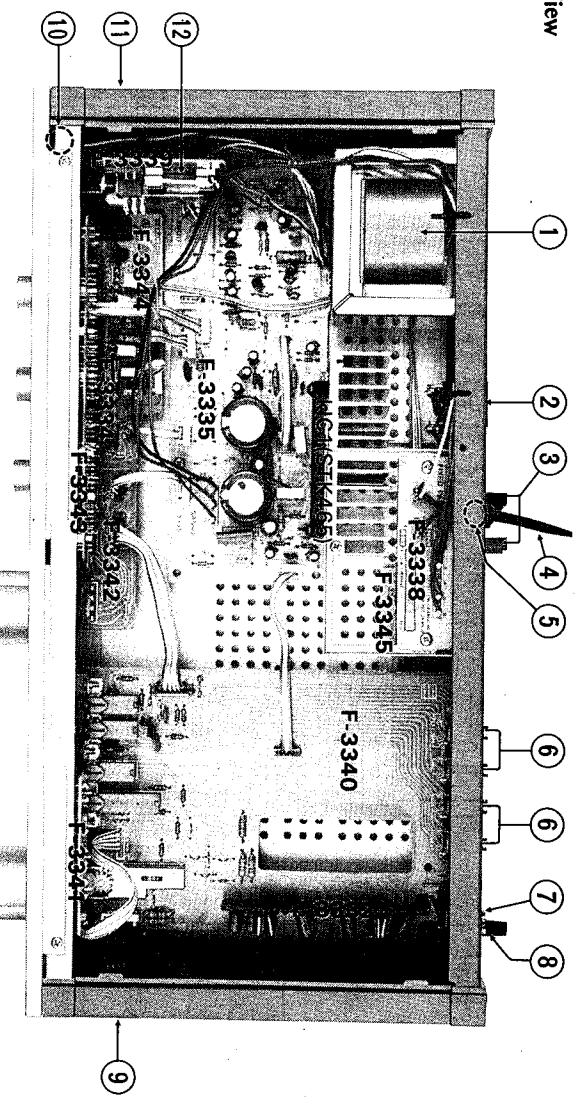
Parts No.	Stock No.	Description
1-6	07672200	Smoked Plate <XX>
	07780800	Smoked Plate
5	07624700	Knob, volume, input-selector
7	07680600	Knob, mic level
9	07614500	Knob, bass, treble, loudness, balance (I)
	07777800	Knob, bass, treble, loudness, balance (II)
<Power Transistor>		
	07259000, 1	2SC2577LB O, Y
	K09	07258800, 1 2SA1102LB O, Y

3-3. A-5

A) Front View



B) Top View



Parts List <Front View>

Parts No.	Stock No.	Description
2	07680500	Scale Plate
3	07601300	Bonnet
8	46078100	Head Phone Jack
9	07601200	Leg
<Silver Model>		
1	07679720	Front Panel Assy <XX>
1-1	07781300	Front Panel Assy
1-2	07580300	Push Knob, power
1-3	07580100	Push Knob speaker, high-filter, loudness
1-4	07580900	Push Knob Guide
1-5	07581300	Push Knob Guide
1-6	07738500	Smoked Plate <XX>
4	07780700	Smoked Plate
7	07614100	Knob, volume, input-selector
	07614200	Knob, bass, treble, balance (I)
	07777600	Knob, bass, treble, balance (II)
<Black Model>		
1	07679910	Front Panel Assy <XX>
1-1	07781400	Front Panel Assy
1-2	07580500	Push Knob, power
1-3	07580200	Push Knob, speaker, high-filter, loudness
1-4	07580800	Push Knob Guide
1-5	07581200	Push Knob Guide
1-6	07672200	Smoked Plate <XX>
	07780800	Smoked Plate

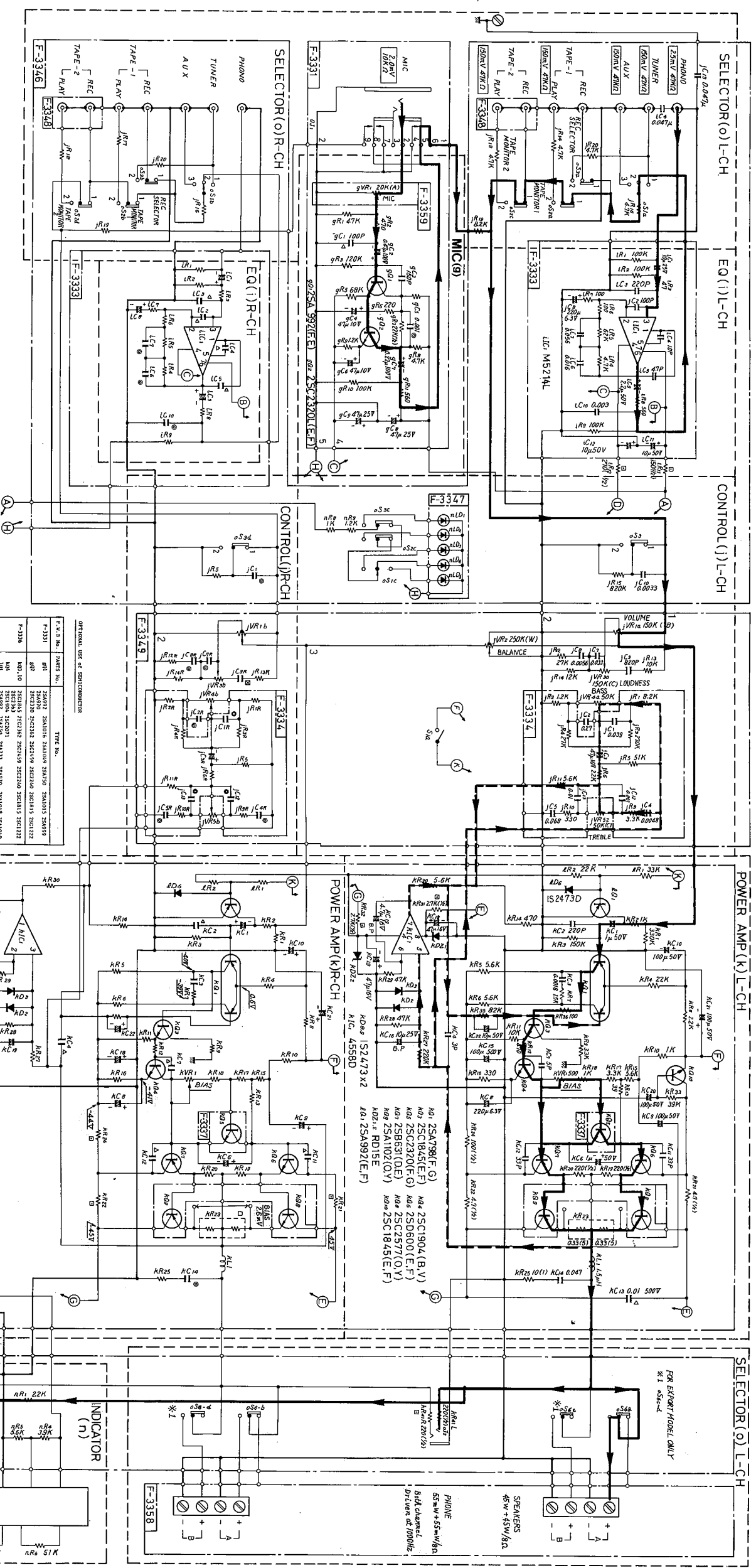
Parts List <Top View>

Parts No.	Stock No.	Description
4	07624700	Knob, volume, input-selector
7	07614500	Knob, bass, treble, balance (I)
	07777800	Knob, bass, treble, balance (II)
<Power Transistor>		
	15001901	Power Transformer
	07189600	AC Outlet
	07183300	Speaker Terminal
	39004700	Power Supply Cord
	39106000	Strain Relief
	07249100	Input Terminal Board 4P, tape
	07249000	Input Terminal Board 2P, phono
	22301500	Ground Terminal
	07602010	Side Panel (R)
	07261100	Pilot Lamp 8V 150mA
	07601910	Side Panel (L)
	07189800	Fuse 250V 3A (100V ~ 120V)
	07188500	Fuse 250V 1.5A (220V ~ 240V)

La présentation et les spécifications sont susceptibles d'être modifiées sans préavis par suites d'améliorations éventuelles.
 Änderungen, die dem technischen Fortschritt dienen, dürfen vorbehalten.
 Design and specifications subject to change without notice for improvement.

A B C D E F G H

Signal Line
 ---N.F.B Loop



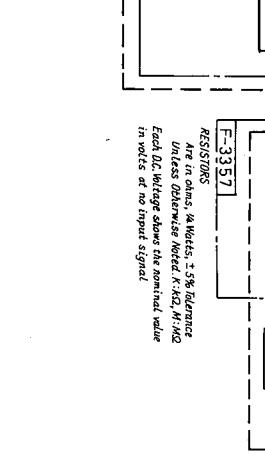
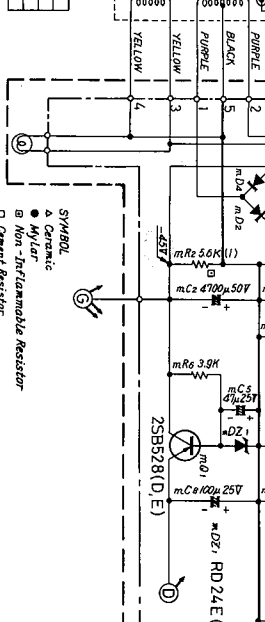
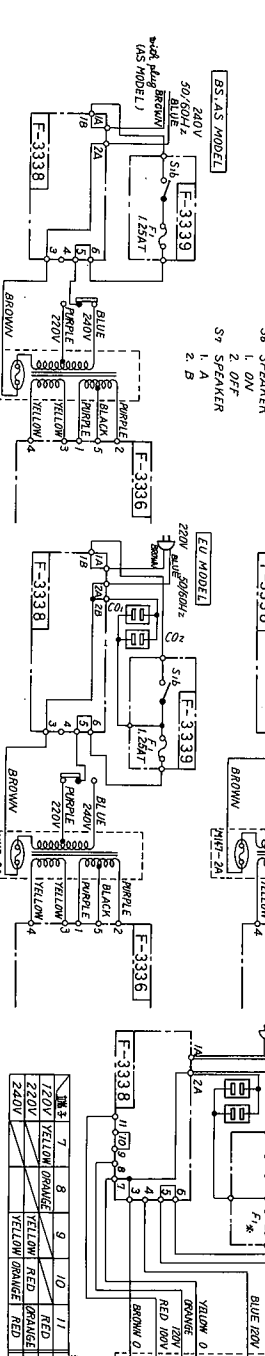
SYMBOL OF FUNCTION
 (g) MIC (JAPAN MODEL only)
 (i) EQ
 (j) CONTROL
 (k) POWER
 (m) POWER SUPPLY
 (n) INDICATOR
 (o) SELECTOR

S. SELECTOR
 1. TUNER
 2. PHONO
 3. AUX
 S2 TAPE MONITOR
 1. OFF
 2. ON
 S3 REC SELECTOR
 1. SOURCE
 2. TUNER
 S4 HIGH FILTER
 1. ON
 2. OFF
 S5 SPEAKER
 1. A
 2. B

JAPAN MODEL, CSA MODEL
 JAPAN MODEL 50/60HZ
 U.S.A. MODEL 200/60HZ

OPTIONAL USE OF SEMICONDUCTORS

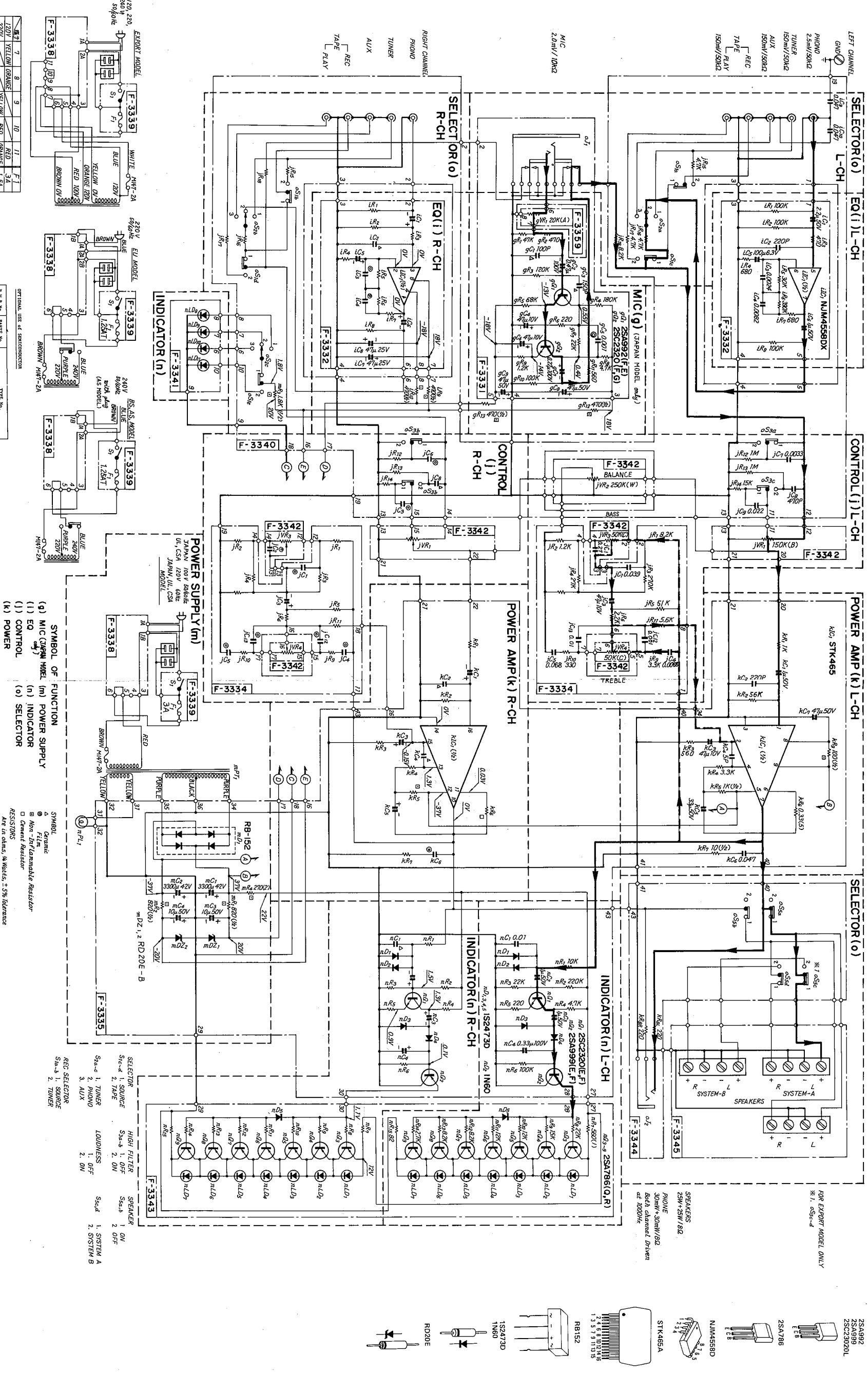
P.N. No.	PART NO.	TYPE NO.
F-3331	801	2SA798A 2SA798B 2SA798C 2SA798D 2SA798E 2SA798F 2SA798G 2SA798H 2SA798I 2SA798J 2SA798K 2SA798L 2SA798M 2SA798N 2SA798P 2SA798Q 2SA798R 2SA798S 2SA798T 2SA798U 2SA798V 2SA798W 2SA798X 2SA798Y 2SA798Z
F-3332	802	2SC1033 2SC1034 2SC1035 2SC1036 2SC1037 2SC1038 2SC1039 2SC1040 2SC1041 2SC1042 2SC1043 2SC1044 2SC1045 2SC1046 2SC1047 2SC1048 2SC1049 2SC1050 2SC1051 2SC1052 2SC1053 2SC1054 2SC1055 2SC1056 2SC1057 2SC1058 2SC1059 2SC1060 2SC1061 2SC1062 2SC1063 2SC1064 2SC1065 2SC1066 2SC1067 2SC1068 2SC1069 2SC1070 2SC1071 2SC1072 2SC1073 2SC1074 2SC1075 2SC1076 2SC1077 2SC1078 2SC1079 2SC1080 2SC1081 2SC1082 2SC1083 2SC1084 2SC1085 2SC1086 2SC1087 2SC1088 2SC1089 2SC1090 2SC1091 2SC1092 2SC1093 2SC1094 2SC1095 2SC1096 2SC1097 2SC1098 2SC1099 2SC1100
F-3333	803	2SA1015 2SA1016 2SA1017 2SA1018 2SA1019 2SA1020 2SA1021 2SA1022 2SA1023 2SA1024 2SA1025 2SA1026 2SA1027 2SA1028 2SA1029 2SA1030 2SA1031 2SA1032 2SA1033 2SA1034 2SA1035 2SA1036 2SA1037 2SA1038 2SA1039 2SA1040 2SA1041 2SA1042 2SA1043 2SA1044 2SA1045 2SA1046 2SA1047 2SA1048 2SA1049 2SA1050 2SA1051 2SA1052 2SA1053 2SA1054 2SA1055 2SA1056 2SA1057 2SA1058 2SA1059 2SA1060 2SA1061 2SA1062 2SA1063 2SA1064 2SA1065 2SA1066 2SA1067 2SA1068 2SA1069 2SA1070 2SA1071 2SA1072 2SA1073 2SA1074 2SA1075 2SA1076 2SA1077 2SA1078 2SA1079 2SA1080 2SA1081 2SA1082 2SA1083 2SA1084 2SA1085 2SA1086 2SA1087 2SA1088 2SA1089 2SA1090 2SA1091 2SA1092 2SA1093 2SA1094 2SA1095 2SA1096 2SA1097 2SA1098 2SA1099 2SA1100



RESISTORS
 All resistors are 1% tolerance unless otherwise noted. 1/2W, 1/4W, 1/8W, 1/10W, 1/16W, 1/20W, 1/30W, 1/40W, 1/50W, 1/60W, 1/80W, 1/100W, 1/150W, 1/200W, 1/300W, 1/400W, 1/500W, 1/600W, 1/800W, 1/1000W, 1/1500W, 1/2000W, 1/3000W, 1/4000W, 1/5000W, 1/6000W, 1/8000W, 1/10000W, 1/15000W, 1/20000W, 1/30000W, 1/40000W, 1/50000W, 1/60000W, 1/80000W, 1/100000W, 1/150000W, 1/200000W, 1/300000W, 1/400000W, 1/500000W, 1/600000W, 1/800000W, 1/1000000W, 1/1500000W, 1/2000000W, 1/3000000W, 1/4000000W, 1/5000000W, 1/6000000W, 1/8000000W, 1/10000000W, 1/15000000W, 1/20000000W, 1/30000000W, 1/40000000W, 1/50000000W, 1/60000000W, 1/80000000W, 1/100000000W, 1/150000000W, 1/200000000W, 1/300000000W, 1/400000000W, 1/500000000W, 1/600000000W, 1/800000000W, 1/1000000000W, 1/1500000000W, 1/2000000000W, 1/3000000000W, 1/4000000000W, 1/5000000000W, 1/6000000000W, 1/8000000000W, 1/10000000000W, 1/15000000000W, 1/20000000000W, 1/30000000000W, 1/40000000000W, 1/50000000000W, 1/60000000000W, 1/80000000000W, 1/100000000000W, 1/150000000000W, 1/200000000000W, 1/300000000000W, 1/400000000000W, 1/500000000000W, 1/600000000000W, 1/800000000000W, 1/1000000000000W, 1/1500000000000W, 1/2000000000000W, 1/3000000000000W, 1/4000000000000W, 1/5000000000000W, 1/6000000000000W, 1/8000000000000W, 1/10000000000000W, 1/15000000000000W, 1/20000000000000W, 1/30000000000000W, 1/40000000000000W, 1/50000000000000W, 1/60000000000000W, 1/80000000000000W, 1/100000000000000W, 1/150000000000000W, 1/200000000000000W, 1/300000000000000W, 1/400000000000000W, 1/500000000000000W, 1/600000000000000W, 1/800000000000000W, 1/1000000000000000W, 1/1500000000000000W, 1/2000000000000000W, 1/3000000000000000W, 1/4000000000000000W, 1/5000000000000000W, 1/6000000000000000W, 1/8000000000000000W, 1/10000000000000000W, 1/15000000000000000W, 1/20000000000000000W, 1/30000000000000000W, 1/40000000000000000W, 1/50000000000000000W, 1/60000000000000000W, 1/80000000000000000W, 1/100000000000000000W, 1/150000000000000000W, 1/200000000000000000W, 1/300000000000000000W, 1/400000000000000000W, 1/500000000000000000W, 1/600000000000000000W, 1/800000000000000000W, 1/1000000000000000000W, 1/1500000000000000000W, 1/2000000000000000000W, 1/3000000000000000000W, 1/4000000000000000000W, 1/5000000000000000000W, 1/6000000000000000000W, 1/8000000000000000000W, 1/10000000000000000000W, 1/15000000000000000000W, 1/20000000000000000000W, 1/30000000000000000000W, 1/40000000000000000000W, 1/50000000000000000000W, 1/60000000000000000000W, 1/80000000000000000000W, 1/100000000000000000000W, 1/150000000000000000000W, 1/200000000000000000000W, 1/300000000000000000000W, 1/400000000000000000000W, 1/500000000000000000000W, 1/600000000000000000000W, 1/800000000000000000000W, 1/1000000000000000000000W, 1/1500000000000000000000W, 1/2000000000000000000000W, 1/3000000000000000000000W, 1/4000000000000000000000W, 1/5000000000000000000000W, 1/6000000000000000000000W, 1/8000000000000000000000W, 1/10000000000000000000000W, 1/15000000000000000000000W, 1/20000000000000000000000W, 1/30000000000000000000000W, 1/40000000000000000000000W, 1/50000000000000000000000W, 1/60000000000000000000000W, 1/80000000000000000000000W, 1/100000000000000000000000W, 1/150000000000000000000000W, 1/200000000000000000000000W, 1/300000000000000000000000W, 1/400000000000000000000000W, 1/500000000000000000000000W, 1/600000000000000000000000W, 1/800000000000000000000000W, 1/1000000000000000000000000W, 1/1500000000000000000000000W, 1/2000000000000000000000000W, 1/3000000000000000000000000W, 1/4000000000000000000000000W, 1/5000000000000000000000000W, 1/6000000000000000000000000W, 1/8000000000000000000000000W, 1/10000000000000000000000000W, 1/15000000000000000000000000W, 1/20000000000000000000000000W, 1/30000000000000000000000000W, 1/40000000000000000000000000W, 1/50000000000000000000000000W, 1/60000000000000000000000000W, 1/80000000000000000000000000W, 1/100000000000000000000000000W, 1/150000000000000000000000000W, 1/200000000000000000000000000W, 1/300000000000000000000000000W, 1/400000000000000000000000000W, 1/500000000000000000000000000W, 1/600000000000000000000000000W, 1/800000000000000000000000000W, 1/1000000000000000000000000000W, 1/1500000000000000000000000000W, 1/2000000000000000000000000000W, 1/3000000000000000000000000000W, 1/4000000000000000000000000000W, 1/5000000000000000000000000000W, 1/6000000000000000000000000000W, 1/8000000000000000000000000000W, 1/10000000000000000000000000000W, 1/15000000000000000000000000000W, 1/20000000000000000000000000000W, 1/30000000000000000000000000000W, 1/40000000000000000000000000000W, 1/50000000000000000000000000000W, 1/60000000000000000000000000000W, 1/80000000000000000000000000000W, 1/100000000000000000000000000000W, 1/150000000000000000000000000000W, 1/200000000000000000000000000000W, 1/300000000000000000000000000000W, 1/400000000000000000000000000000W, 1/500000000000000000000000000000W, 1/600000000000000000000000000000W, 1/800000000000000000000000000000W, 1/1000000000000000000000000000000W, 1/1500000000000000000000000000000W, 1/2000000000000000000000000000000W, 1/3000000000000000000000000000000W, 1/4000000000000000000000000000000W, 1/5000000000000000000000000000000W, 1/6000000000000000000000000000000W, 1/8000000000000000000000000000000W, 1/10000000000000000000000000000000W, 1/15000000000000000000000000000000W, 1/20000000000000000000000000000000W, 1/30000000000000000000000000000000W, 1/40000000000000000000000000000000W, 1/50000000000000000000000000000000W, 1/60000000000000000000000000000000W, 1/80000000000000000000000000000000W, 1/100000000000000000000000000000000W, 1/150000000000000000000000000000000W, 1/200000000000000000000000000000000W, 1/300000000000000000000000000000000W, 1/400000000000000000000000000000000W, 1/500000000000000000000000000000000W, 1/600000000000000000000000000000000W, 1/800000000000000000000000000000000W, 1/1000000000000000000000000000000000W, 1/1500000000000000000000000000000000W, 1/2000000000000000000000000000000000W, 1/3000000000000000000000000000000000W, 1/4000000000000000000000000000000000W, 1/5000000000000000000000000000000000W, 1/6000000000000000000000000000000000W, 1/8000000000000000000000000000000000W, 1/10000000000000000000000000000000000W, 1/15000000000000000000000000000000000W, 1/20000000000000000000000000000000000W, 1/30000000000000000000000000000000000W, 1/40000000000000000000000000000000000W, 1/50000000000000000000000000000000000W, 1/60000000000000000000000000000000000W, 1/80000000000000000000000000000000000W, 1/100000000000000000000000000000000000W, 1/150000000000000000000000000000000000W, 1/200000000000000000000000000000000000W, 1/300000000000000000000000000000000000W, 1/400000000000000000000000000000000000W, 1/500000000000000000000000000000000000W, 1/600000000000000000000000000000000000W, 1/800000000000000000000000000000000000W, 1/1000000000000000000000000000000000000W, 1/1500000000000000000000000000000000000W, 1/2000000000000000000000000000000000000W, 1/3000000000000000000000000000000000000W, 1/4000000000000000000000000000000000000W, 1/5000000000000000000000000000000000000W, 1/6000000000000000000000000000000000000W, 1/8000000000000000000000000000000000000W, 1/10000000000000000000000000000000000000W, 1/15000000000000000000000000000000000000W, 1/20000000000000000000000000000000000000W, 1/30000000000000000000000000000000000000W, 1/40000000000000000000000000000000000000W, 1/50000000000000000000000000000000000000W, 1/60000000000000000000000000000000000000W, 1/80000000000000000000000000000000000000W, 1/100000000000000000000000000000000000000W, 1/150000000000000000000000000000000000000W, 1/200000000000000000000000000000000000000W, 1/300000000000000000000000000000000000000W, 1/400000000000000000000000000000000000000W, 1/500000000000000000000000000000000000000W, 1/600000000000000000000000000000000000000W, 1/800000000000000000000000000000000000000W, 1/1000000000000000000000000000000000000000W, 1/1500000000000000000000000000000000000000W, 1/2000000000000000000000000000000000000000W, 1/3000000000000000000000000000000000000000W, 1/4000000000000000000000000000000000000000W, 1/5000000000000000000000000000000000000000W, 1/6000000000000000000000000000000000000000W, 1/8000000000000000000000000000000000000000W, 1/100W, 1/15000000000000000000000000000000000000000W, 1/200W, 1/300W, 1/400W, 1/500W, 1/600W, 1/800W, 1/1000W, 1/1500W, 1/2000W, 1/3000W, 1/4000W, 1/5000W, 1/6000W, 1/8000W, 1/100W, 1/15000W, 1/200W, 1/300W, 1/400W, 1/500W, 1/600W, 1/800W, 1/1000W, 1/1500W, 1/2000W, 1/3000W, 1/4000W, 1/5000W, 1/6000W, 1/8000W, 1/100W, 1/15000W, 1/200W, 1/300W, 1/400W, 1/500W, 1/6000000000000000

La présentation et les spécifications sont susceptibles d'être modifiées sans préavis par suites d'améliorations éventuelles.
 The presentation and specifications are subject to change without notice for improvement.
 Descriptions and specifications subject to change without notice for improvement.

A B C D E F G H



SYMBOL OF FUNCTION
 (g) MIC (JAPAN MODEL)
 (m) POWER SUPPLY
 (i) EQ
 (j) CONTROL
 (k) POWER
 (o) SELECTOR

SYMBOL
 Triangle
 □ Non-Inflammable Resistor
 □ Ceramic Resistor
 RESISTORS
 1/2W or 1/4W, 5% Tolerance
 UNLESS OTHERWISE NOTED: K=K, M=M, G=G
 in text or no input signal

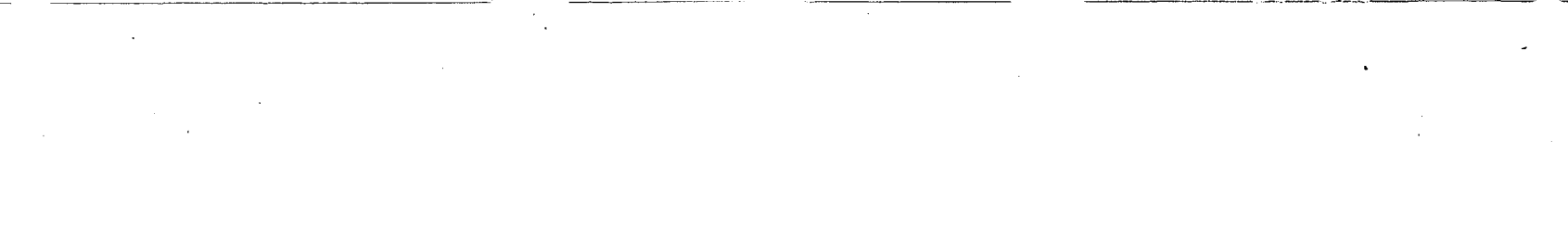
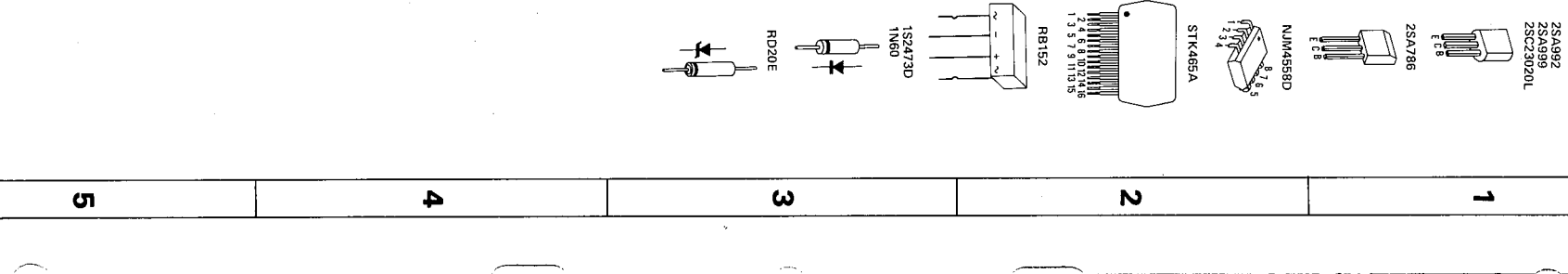
REC. SELECTOR
 Sps.-1 SOURCE
 Sps.-2 TUNER

LOUDNESS
 1. OFF
 2. ON

SPEAKER
 1. SYSTEM A
 2. SYSTEM B

OPTIONAL USE OF SEMICONDUCTOR

P.N. No.	PARTS No.	TYPE No.
F-3335	28C2301E (F)	28C2301E
F-3336	28A99 (F)	28A99
F-3337	152473D (F)	152473D
F-3338	152473B (F)	152473B
F-3339	152473C (F)	152473C



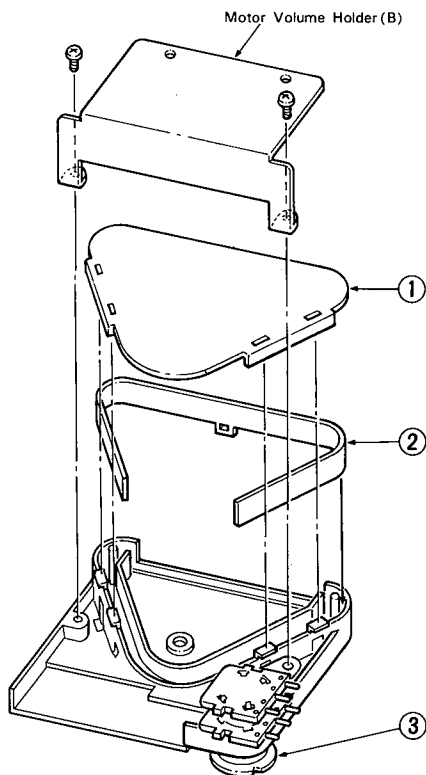
5. ADJUSTMENTS (See Top View on page 9 ~ 10)

- Notes: 1. Level Volume Minimum
 2. Room Temperature . . 18°C ~ 28°C
 3. For this adjustment, run the unit for more than 3 minutes after the power is switched ON.

5-1. F-3336 Driver Circuit Adjustment (A-9/7)

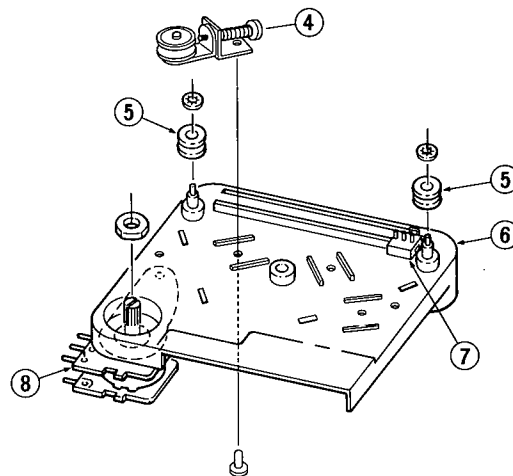
STEP	SUBJECT	MEASURE OUTPUT	ADJUST	ADJUST FOR
1.	Bias current Adj. (L-ch)	Between Point A & Point B	kVR1 (L-ch)	DC 2.6mV
2.	Bias current Adj. (R-ch)	Between Point C & Point D	kVR1 (R-ch)	DC 2.6mV

6. EXPLODED VIEW OF VOLUME CONTROL MECHANISM (A-9)



Parts List

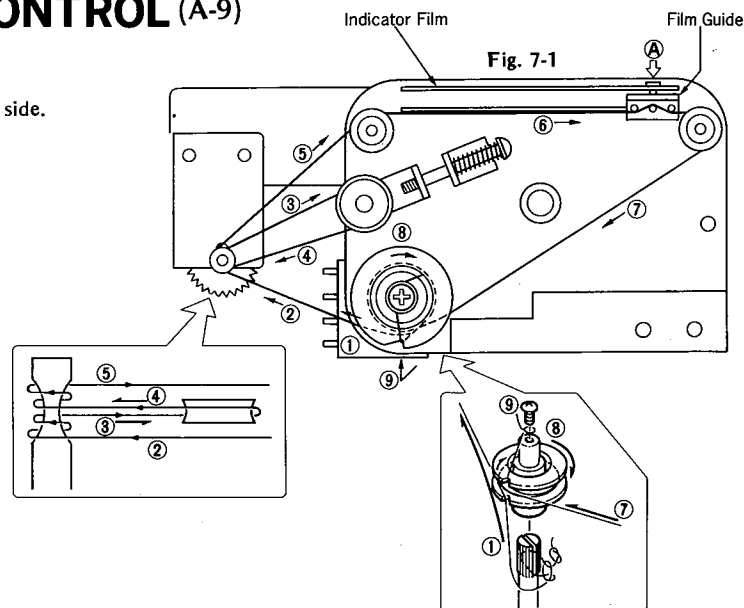
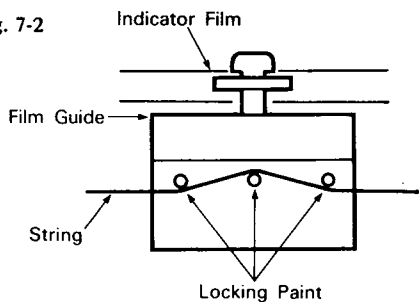
Parts No.	Stock No.	Description
1	07600400	Housing Cover
2	07600300	Indicator Film
3	07600500	Pulley D-17
4	07600910	Tension Ass'y
5	07233400	Pulley (Small)
6	07600210	Housing
7	07600600	Film Guide
8	07242100	Varialbe Resistor 150 kΩ (B) x 2
	07234000	Motor Unit (B)



7. THREADING OF VOLUME CONTROL (A-9)

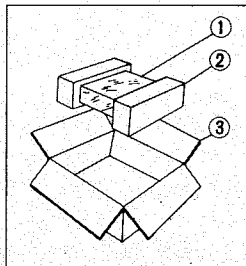
1. Turn the volume control fully clockwise.
2. Thread the string in numerical order from 1 to 9 as Fig. 7-1.
3. Position the indicator film & the film guide at end of right side.
4. Lock the string to the film guide with locking paint.
(See Fig. 7-2).

Fig. 7-2



8. PACKING LIST

Parts No.	Stock No.	Description
1	91263810	Vinyl Cover
2	07641000	Styrofoam Packing
3	07680900	Carton Case (A-9, Black)
	07681000	Carton Case (A-9, Silver)
	07681700	Carton Case (A-7, Black)
	07681800	Carton Case (A-7, Silver)
	07682000	Carton Case (A-5, Black)
	07682100	Carton Case (A-5, Silver)



9. ACCESSORY LIST

Stock No.	Description
07668400	Operating Instruction (A-9)
07668600	Operating Instruction (A-7)
07668800	Operating Instruction (A-5)



SANSUI ELECTRIC COMPANY LTD.:
 SANSUI ELECTRONICS CORPORATION:
 SANSUI ELECTRONICS (U.K.) LTD.:
 SANSUI ELECTRONICS G.M.B.H.:

14-1, Izumi 2-chome, Suginami-ku, Tokyo 168 Japan PHONE:(03) 323-1111/TELEX:232-2076
 1250 Valley Brook Ave. Lyndhurst, N.J. 07071 U.S.A.
 333 West Alondra Blvd. Gardena, California 90247 U.S.A.
 3036 Koapaka St. Honolulu, Hawaii 96819 U.S.A.
 Unit 10A, Lyon Industrial Estate, Rockware Avenue, Greenford, Middx UB6, OAA, England
 Arabella center, 6 Frankfurt AM Main, Lyoner Strasse 44-48, West Germany